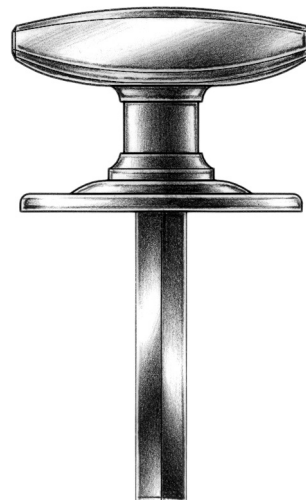
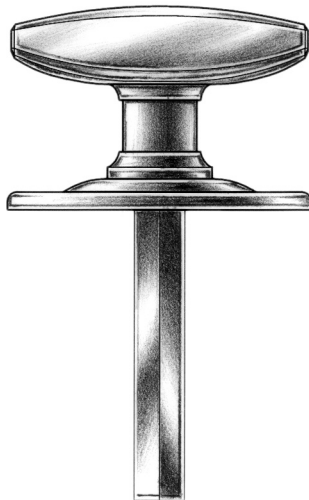
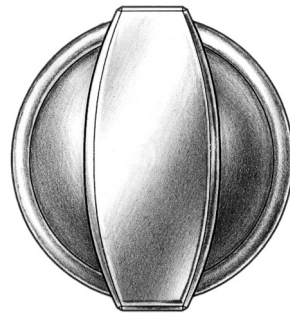
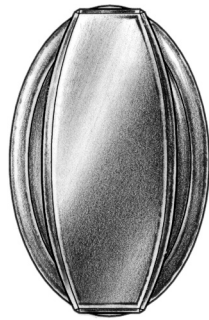


E. R. BUTLER & CO.



Shown with Oval Rose

Shown with Round Rose

PREMIUM GRADE

Faceted Norwegian Thumb Turns

E. R. Butler & Co. Collection

For Use on Privacy and Patio Doors.

Available in $1\frac{1}{4} \times 1\frac{1}{8}$ " (L) and $1\frac{1}{8} \times 1$ " (S) Dimensions (Width \times Projection). (Size L Shown).

Standard with $\frac{3}{16}$ inch Spindle on the Diagonal.

Regularly Furnished with Two No. 4 \times $\frac{1}{2}$ " OHWS.

Solid Machined Brass Turn and Rose.

Standard, Custom Plated and Patinated Finishes Available.

Full Scale

FINE ARCHITECTURAL, BUILDERS' AND CABINETMAKERS' HARDWARE