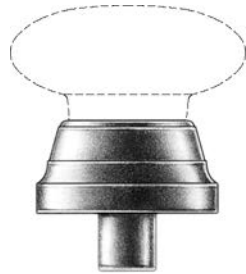
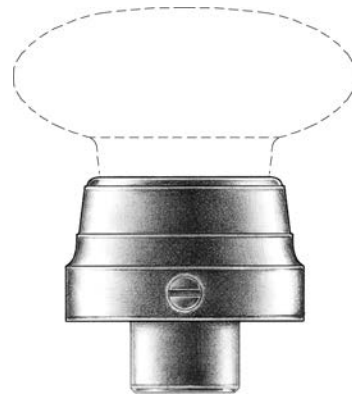


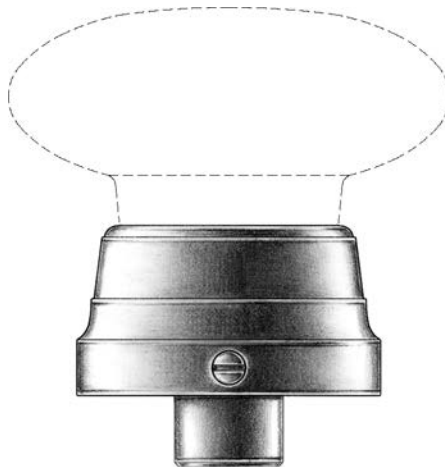
E. R. BUTLER & CO.



SIZE S



SIZE M



SIZE L

PREMIUM GRADE

## Original "ER" Shell Shanks for Crystal Knobs

*Patterned after E. & G.W. Robinson's Design Patent of 1837*

Available in 2 1/4 or 1 3/4 in. Sizes (Nominal) for Doors.  
Also Available as 1 1/4 in. for Cabinets and Fine Furniture.  
Solid Turned Brass Shank.  
Standard, Custom Plated and Patinated Finishes Available.

*Full Scale*

FINE ARCHITECTURAL, BUILDERS' AND CABINETMAKERS' HARDWARE