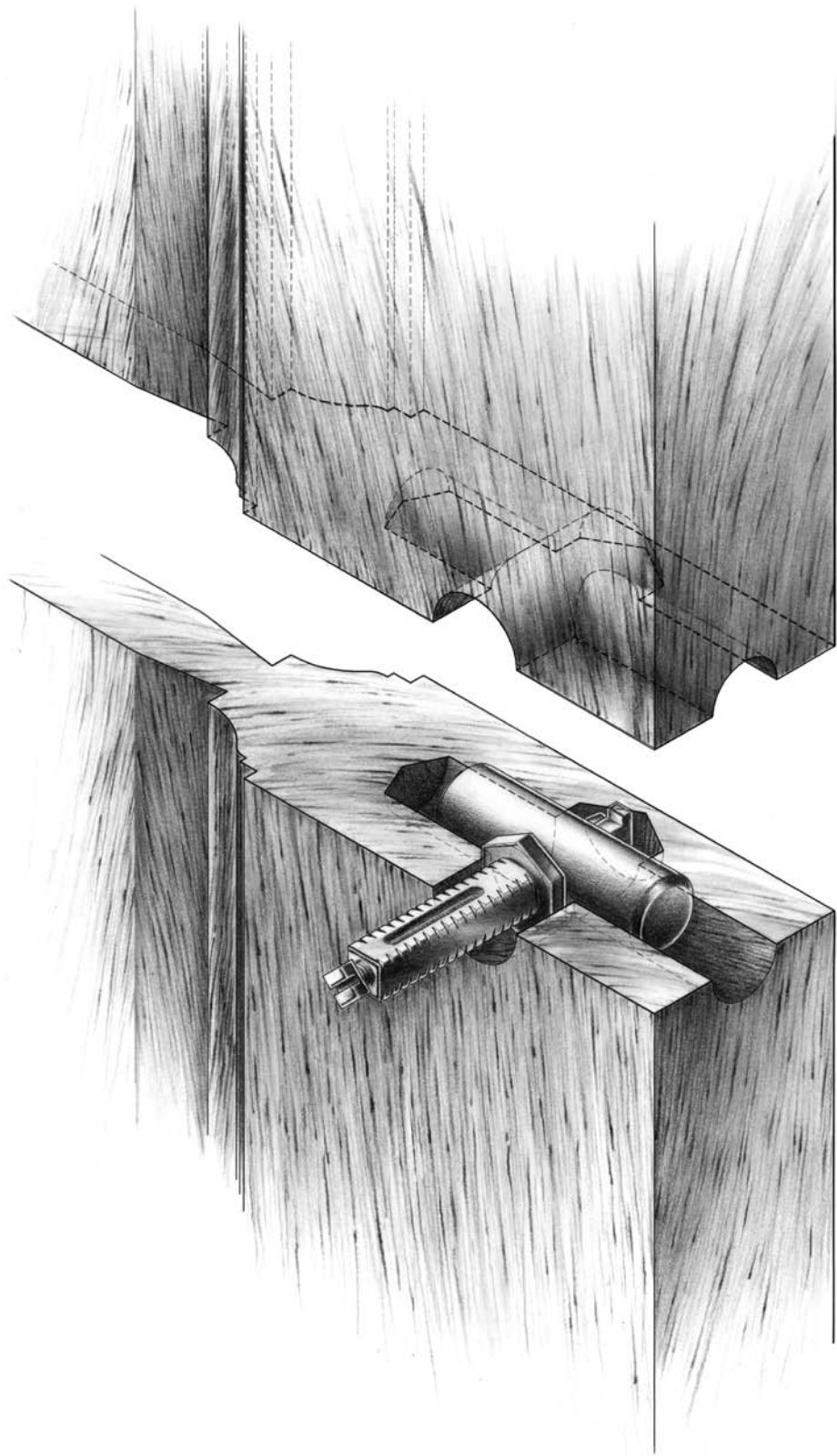


E. R. BUTLER & CO.



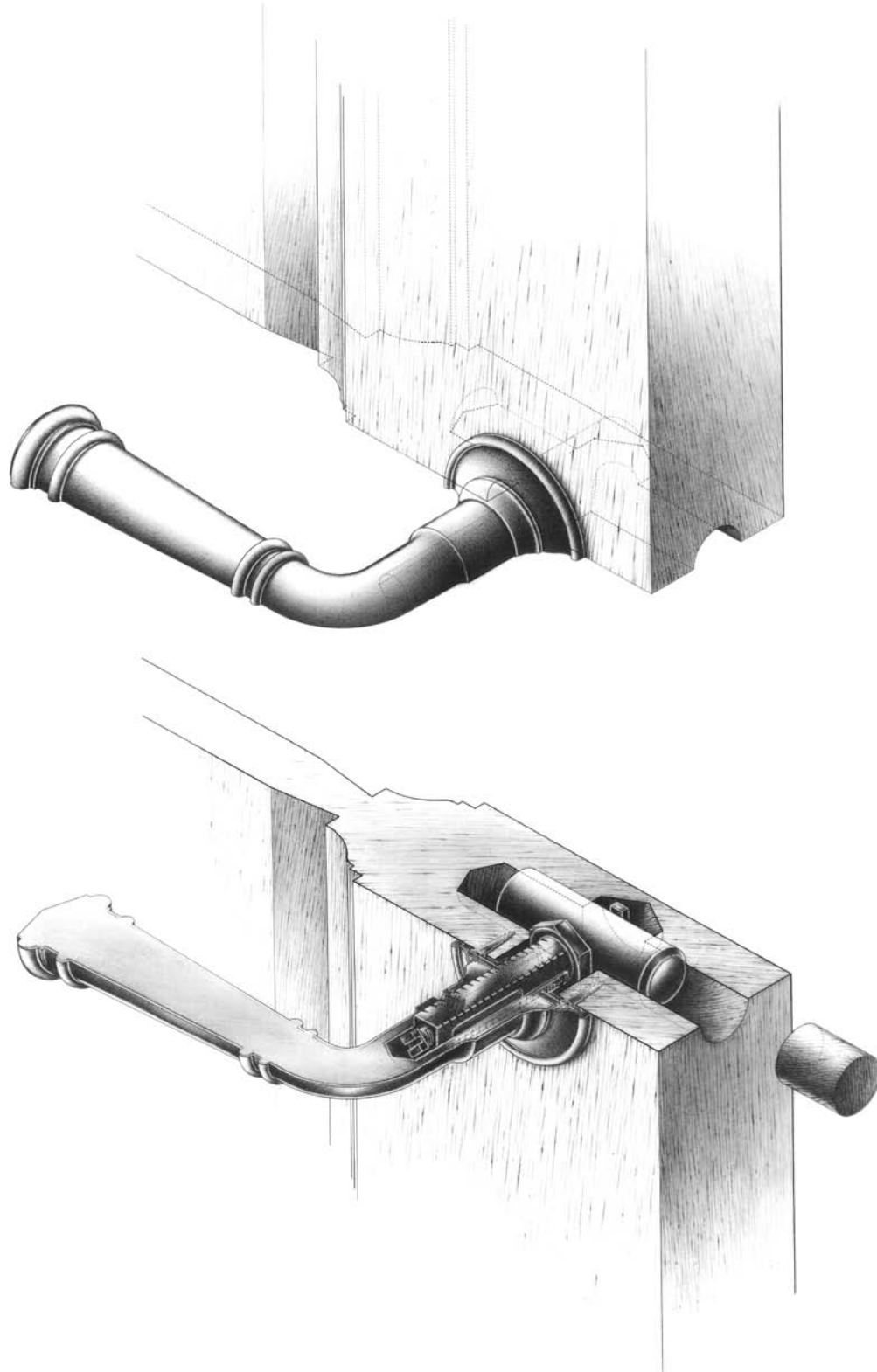
## Universal Full Dummy Spindle Bore Lock

*Single-Mounted Condition*

© E. R. BUTLER & CO. ALL RIGHTS RESERVED.

FINE ARCHITECTURAL, BUILDERS' AND CABINETMAKERS' HARDWARE

E. R. BUTLER & CO.



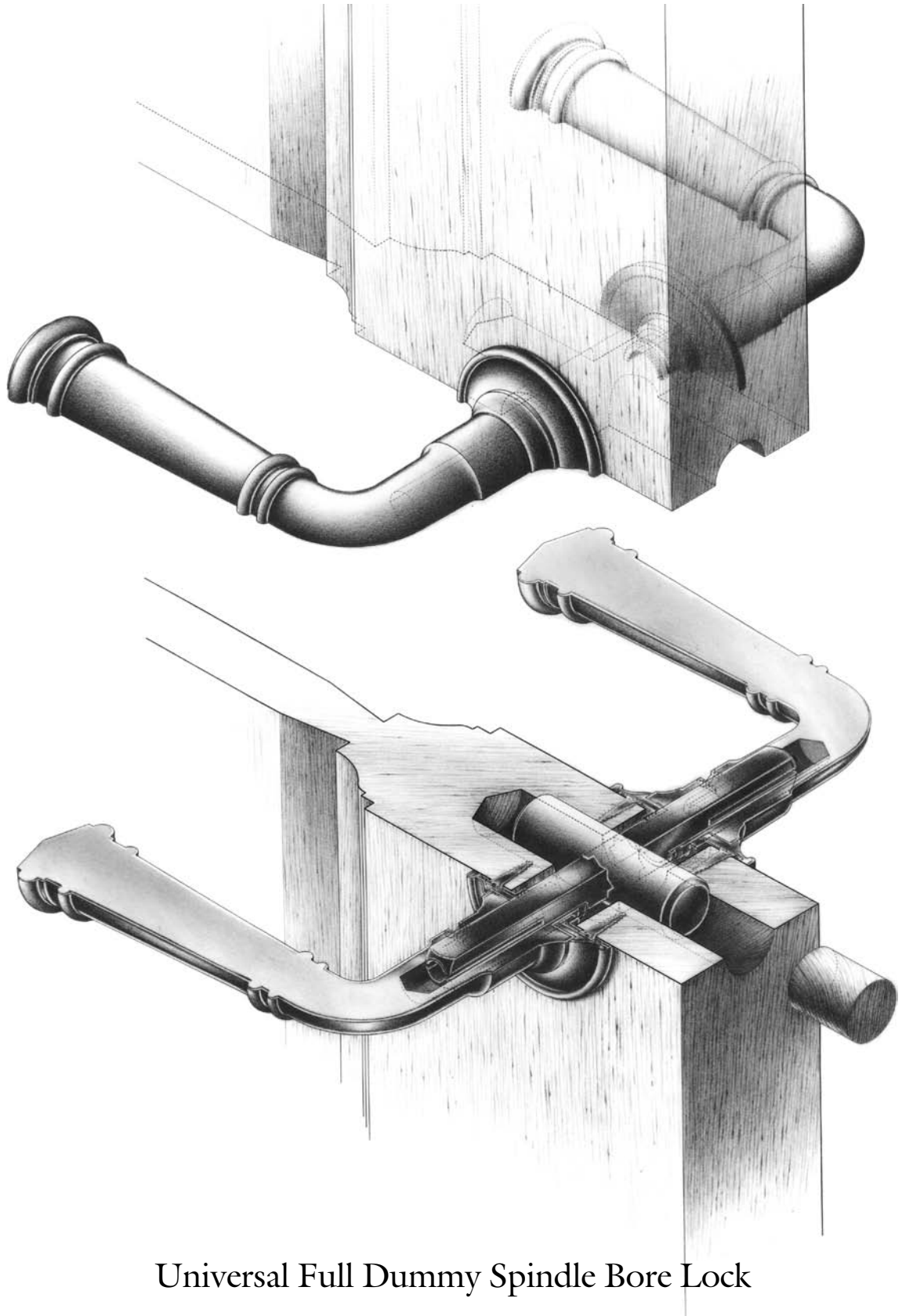
Universal Full Dummy Spindle Bore Lock

*Single-Mounted Condition*

© E. R. BUTLER & CO. ALL RIGHTS RESERVED.

FINE ARCHITECTURAL, BUILDERS' AND CABINETMAKERS' HARDWARE

E. R. BUTLER & CO.



## Universal Full Dummy Spindle Bore Lock

*Through-Mounted Condition*

© E. R. BUTLER & CO. ALL RIGHTS RESERVED.

FINE ARCHITECTURAL, BUILDERS' AND CABINETMAKERS' HARDWARE