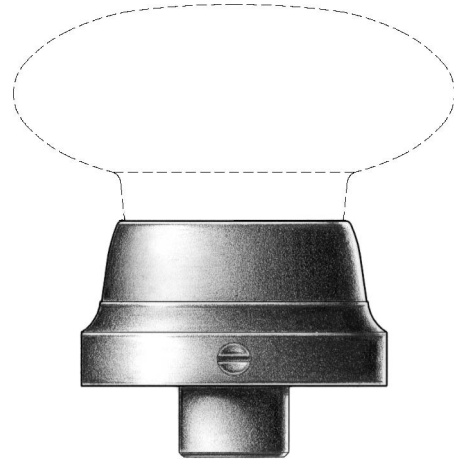
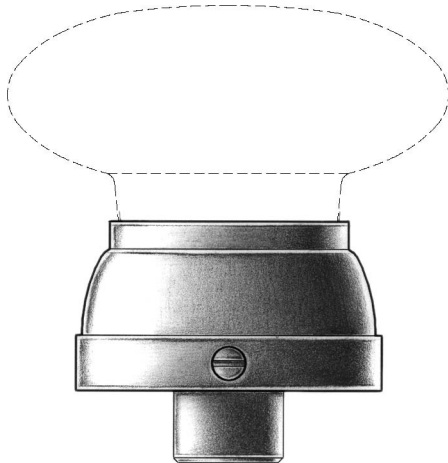


TYPE I



TYPE II



TYPE III

PREMIUM GRADE

Shell Shanks for Crystal Knobs

Patterned after E. & G.W. Robinson's Design Patent of 1837

Available for Door and Cabinet Knobs.

Solid Turned Brass Shank.

Standard, Custom Plated and Patinated Finishes Available.

Full Scale